

MakeMyTrip Foundation



PROGRESS REPORT July-Sep'19



Project Progress Brief

Pilot Plantation:

After the successful plantation in the last quarter, July-September was spent in taking care of the pilot plantation and preparing for the next plantation for 2020.

Pilot Plantation Survival:

While the start was slow for a few species, we have seen most of the species bounce back and showing good growth in the plantation. We expect an overall survival of ~55-60% in the forest with many individual plants likely to bounce back and show growth in Spring 2020.

Preparations for the next year's plantation are ongoing and we have been working on a slew of activities to make sure that we are able to plant on a much larger scale next year.

- Nursery construction is complete and we now have 3 functional nurseries which will be used for planting seeds in Spring 2020 to produce saplings for further plantation works.
- 6 trenches have been constructed in which seeds have been planted to get saplings ready by Spring 2020.
- Greenhouse construction is underway and we will have a greenhouse ready by November-end. We will plant seeds in these to produce saplings for next year.
- Procurement for straw, clay, mulching material & farm yard manure for next year's plantation is ongoing and will be completed by November-end.
- Site marking for next year's plantation is happening and after the procurement of manure, clay and straw, site soil preparation will be done before snowfall.
- Procurement for non-consumables like tools and equipment for the hundreds of volunteers required for next year's plantation, is underway.
- Saplings procurement will be a major part of our planting material and will happen in Feb-Mar 2020. We are already tying up with various local suppliers for the same.

Other work around plantation:

- A watering system utilizing the grey water from campus buildings is being installed for the Apple-Apricot orchard planted in the last quarter.
- Fencing has been consolidated in the HDP Orchard and Apple-Apricot Orchard to keep the plants safe from wildlife.
- We now have a full-time labour team which is working on all the civil & plantation work on site.

Challenges:

This July-September quarter, we have faced challenges in securing external expertise for the civil works & closure in Kashmir. The design of the greenhouses has been a great learning process and we believe we have an excellent design now being actioned.

- Wind – Late summer brought in very strong winds every afternoon. This damaged infrastructure caused delays in civil works due to needs for continuous repairs (see figures 10 & 11).
- Borewell digging – Borewell digging has been stuck due to union issues in Leh and the increased cost of work due to this. We are hopeful of getting this sorted and get the work

started at the earliest. As for now, the current borewell which serves the need of construction team & staff living on the campus is being used to provide for water needed for forestation team.

- Staffing – We are looking to augment our team for the demands of plantation & research for next year’s plantation targets.
- Connectivity to Srinagar – Saplings & tools/equipment procurement was severely delayed due to current lockdown in Kashmir which is the main source of material for us.

Given the greater length of time in finalising the greenhouse development process, the civil work and material costs will be paid for in the final 2019 quarter. Due to these reasons, the grant usage is low for July-September quarter.

Financial Update till September end 2019

Cost heads:

Cost head	Total
Facility-Movable	2,90,762.60
Material- Consumables	1,65,039.50
Material-Tools and Equipment	51,040
One Time Procurement- Facilities	3,99,372.50
Permanent Staff	330,000
Total	12,36,214.60

Project-wise costs:

Cost head	Total
Apple/Apricot Orchard	44,588.50
Apple Orchard	27,727.50
Miyawaki Pilot Plantation	11,706
Nursery	6,54,364.60
Compost	4,750
Commons	4,93,078
Total	12,36,214.60

Plan for the next quarter:

The following activities are planned for October-December quarter.

- Greenhouses completion – October-November
- Earthworks for 2020 plantation – October-November
- Collection & sowing of planting material for spring 2020 plantation – October-December

The Greenhouses will be used to grow saplings for the next year's plantation which is going to happen across approximately 5 acres. Throughout the winter season we will conduct trials on seeds and other planting material to be utilised in all future plantations.

Along with this, we will also be working on a few more greening projects in the next quarter:

1. Apple orchards – We will complete the soil work in the early part of this quarter for the new orchards which we intend to plant in spring.
2. Solar Photovoltaic Panel (SPV) Greenhouse planting – We will utilise this space in part for the germination of native seeds as well as an area to grow some winter vegetables to be consumed by staff.

Team:

- Manish – Overall in-charge of the project
- Clare – Agricultural Research & Project Officer, looks after the research work for Forestation team, Agriculture & Afforestation curriculum development for next year's Fellowship & coordinates the site work for all plantation projects
- Tsering – Plantation Maintenance Officer, for watering the plants & handling other grounds-based work including labourer supervision
- Wage labourers – Physical work for Forestation site infrastructure

With all this, we intend on having a robust platform to make this forestation project a big success.

Pictorial updates of the projects

Miyawaki Plantation



Figure 1. Miyawaki Pilot Plantation on August 3rd.



Figure 2. Miyawaki Pilot Plantation on September 3rd.



Figures 3 & 4. Native plants in Miyawaki PP, Seabuckthorn and Wild Rose on August 12th.

Greenhouse designs

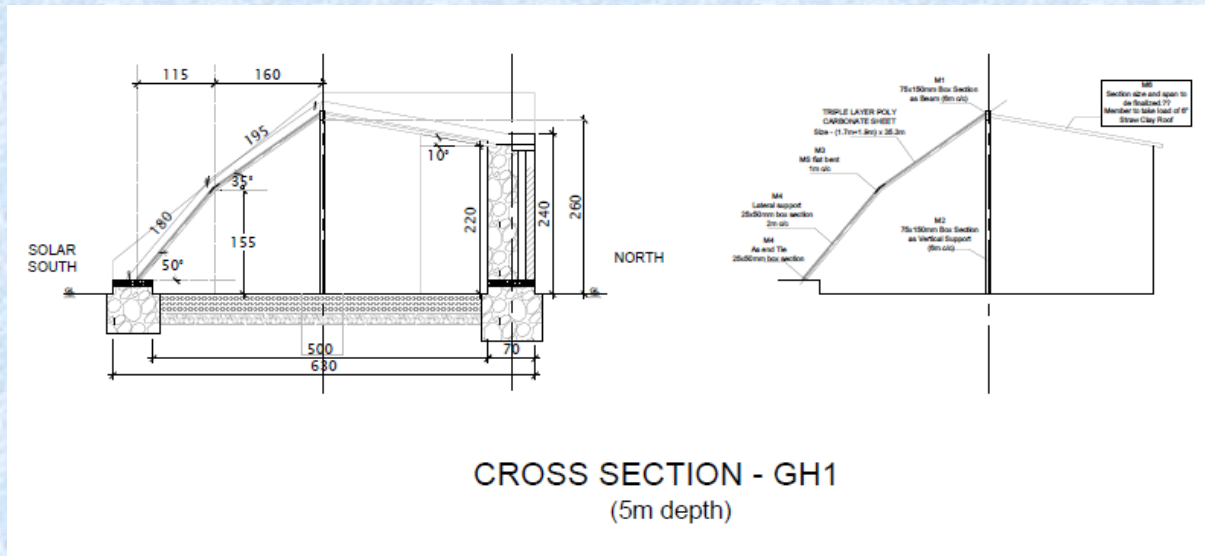


Figure 5. First Greenhouse plan including metal frame and polycarbonate sheets.

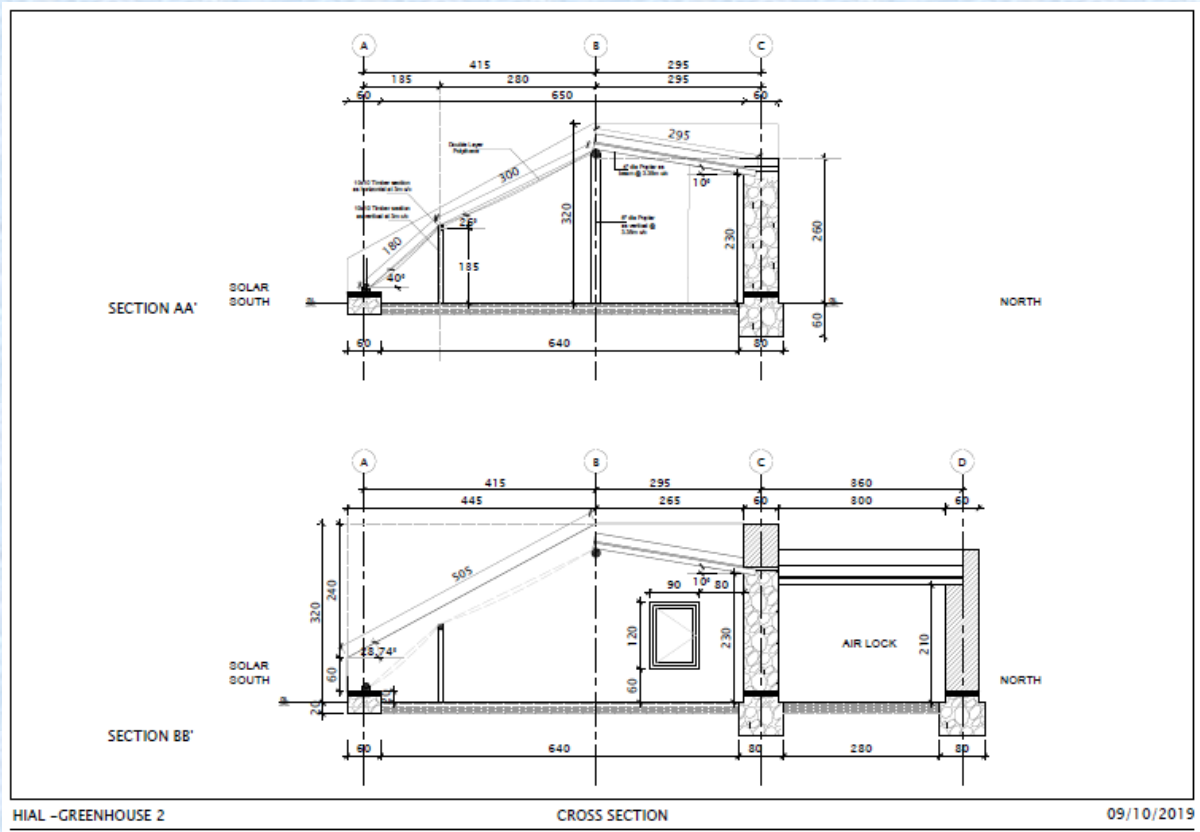


Figure 6. Second Greenhouse plan including timber frame and polythene plastic.

New Nursery & Greenhouse setup



Figure 7. Nursery 1 shade net installed and Nursery 2 & 3 frames erected. Photo from September 12th.



Figures 8 & 9. Stone work of the polytrench and then covered with plastic for germinating seeds, base layer enhances soil warmth. Photos from September 23rd & 29th.



Figure 10. Nursery frame damaged by wind after shade net was blown off. Photo from August 29th.



Figure 11. Apple orchard metal fencing and wind break net blown over. Photo from July 31st.